

AF Series Plate-Fin Hydraulic Aluminum Oil Coolers

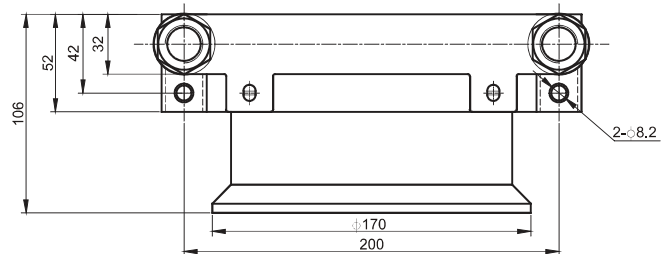
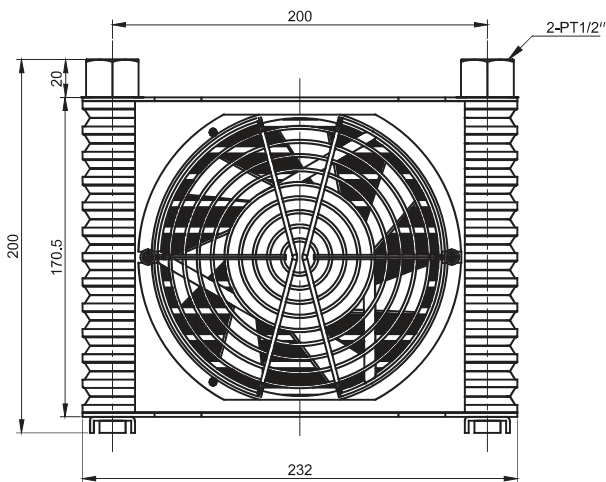
Specifications

AF0510T-CA-10L



型号 Model	AF0510T-CA	冷却能力 Cooling Capacity	1.2KW
流量 Rate of flow	10L/min	重量 Weight	2KG
工作压力 Working pressure	≤1.0MPa	包装尺寸 Packing size	27*23.5*15CM
风扇功率 Fan power	34W	风扇电压 Fan voltage	AC110V/AC220V-240V/AC380V/ DC12V/DC24V/50HZ
外翅片散热面积 Exterior cooling area	0.8M ²	Special voltage & size can be customized	

Dimensions



Performance Curves

