

AH Series Plate-Fin Hydraulic Aluminum Oil Coolers

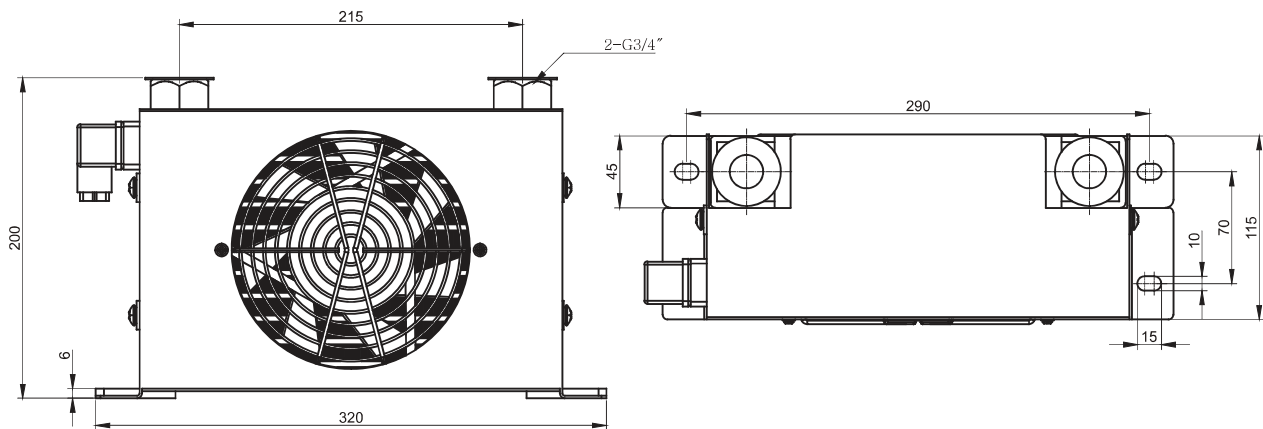
Specifications

AH0608T-CA-60L

型号 Model	AH0608T-CA	冷却能力 Cooling Capacity	1.8KW
流量 Rate of flow	60L/min	重量 Weight	6KG
工作压力 Working pressure	≤2MPa	包装尺寸 Packing size	35*22.5*14CM
风扇功率 Fan power	34W	风扇电压 Fan voltage	AC110V/AC220V-240V/AC380V/ DC12V/DC24V/50HZ
外翅片散热面积 Exterior cooling area	1.3M ²	Special voltage & size can be customized	



Dimensions



Performance Curves

