

AH Series Plate-Fin Hydraulic Aluminum Oil Coolers

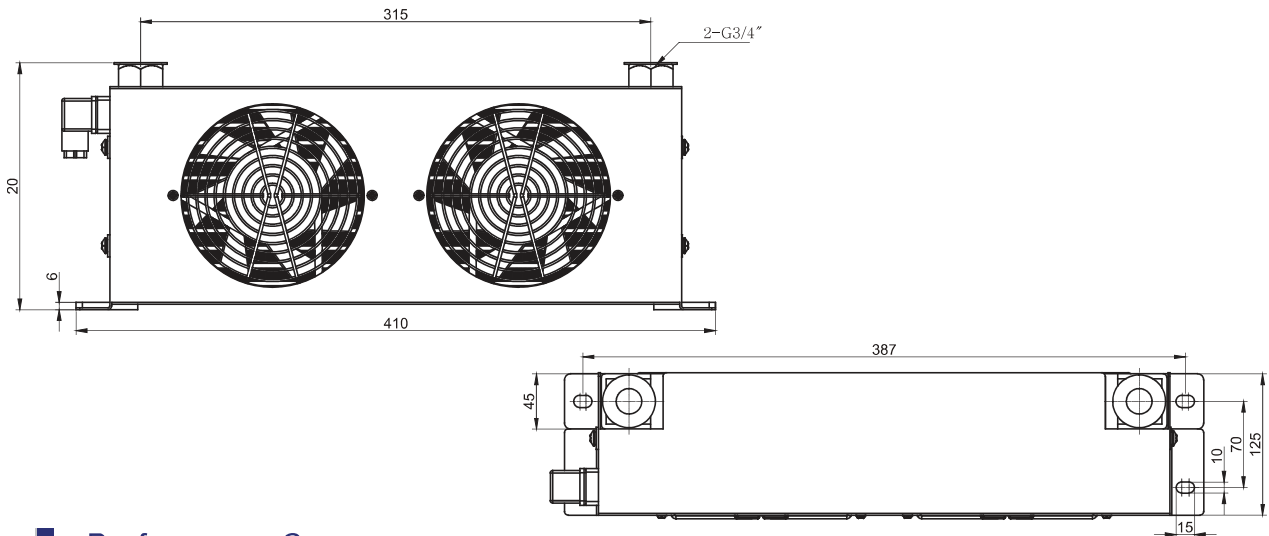
Specifications

AH0608TL-CA-60L



型号 Model	AH0608TL-CA	冷却能力 Cooling Capacity	2.4KW
流量 Rate of flow	60L/min	重量 Weight	7KG
工作压力 Working pressure	≤2MPa	包装尺寸 Packing size	44*22*15.5CM
风扇功率 Fan power	2*34W	风扇电压 Fan voltage	AC110V/AC220V-240V/AC380V/ DC12V/DC24V/50HZ
外翅片散热面积 Exterior cooling area	1.8M ²	Special voltage & size can be customized	

Dimensions



Performance Curves

