

## AH Series Plate-Fin Hydraulic Aluminum Oil Coolers

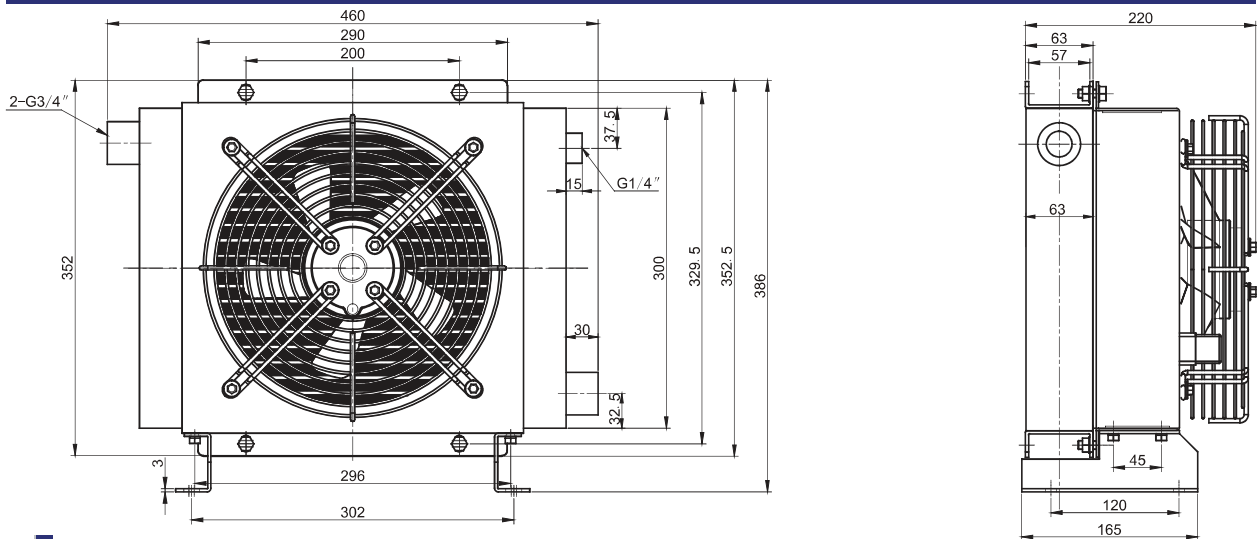
### Specifications

### AH0609T-CA-90L

型号 Model	AH0609T-CA	冷却能力 Cooling Capacity	5KW
流量 Rate of flow	90L/min	重量 Weight	11KG
工作压力 Working pressure	≤2MPa	包装尺寸 Packing size	50*43*22CM
风扇功率 Fan power	34W	风扇电压 Fan voltage	AC110V/AC220V-240V/AC380V/ DC12V/DC24V/50HZ
外翅片散热面积 Exterior cooling area	3.1M <sup>2</sup>	Special voltage & size can be customized	



### Dimensions



### Performance Curves

