

AH Series Plate-Fin Hydraulic Aluminum Oil Coolers

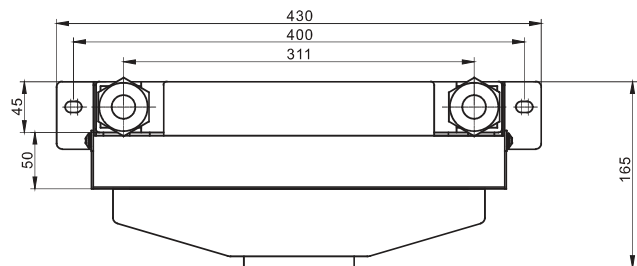
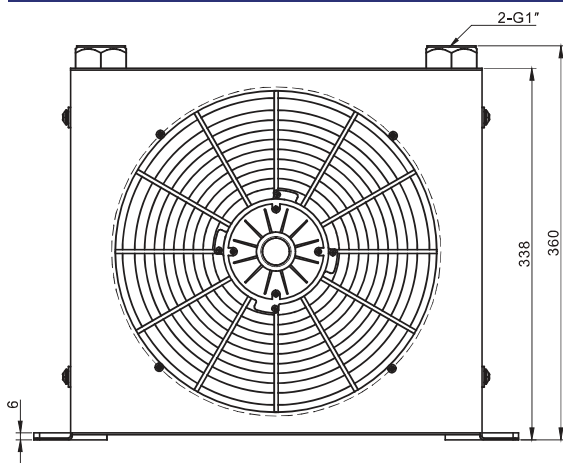
Specifications

AH/AJ1012T-DC-100L



型号 Model	AH/AJ1012T-CA	冷却能力 Cooling Capacity	5.8KW
流量 Rate of flow	100L/min	重量 Weight	12KG
工作压力 Working pressure	≤2MPa	包装尺寸 Packing size	44. 5*37*18CM
风扇功率 Fan power	45W/52W	风扇电压 Fan voltage	DC12V/DC24V
外翅片散热面积 Exterior cooling area	3.2M ²	Special voltage & size can be customized	

Dimensions



Performance Curves

