

## AH Series Plate-Fin Hydraulic Aluminum Oil Coolers

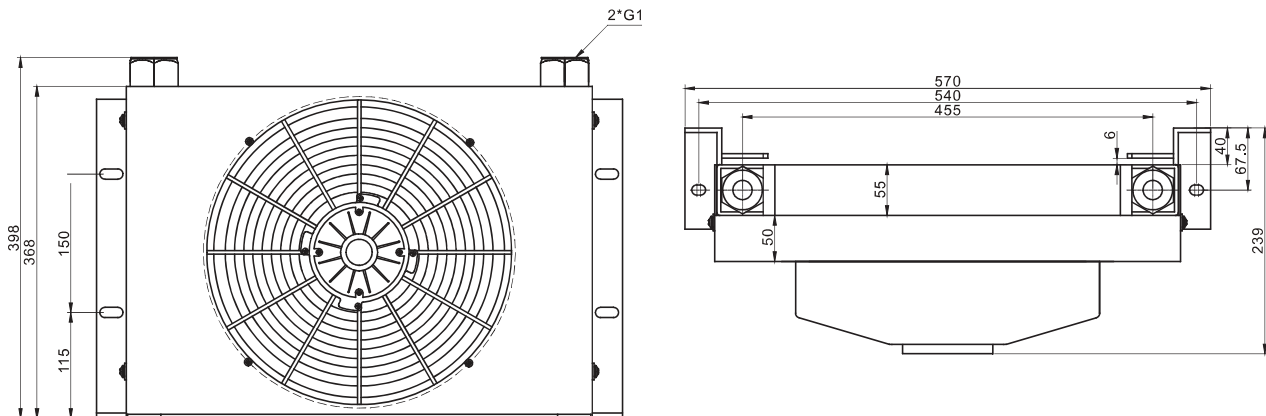
### Specifications

### AH/AJ1417T-DC-150L



型号 Model	AH/AJ1417T-CA	冷却能力 Cooling Capacity	8KW
流量 Rate of flow	150L/min	重量 Weight	25KG
工作压力 Working pressure	≤2MPa	包装尺寸 Packing size	58*45*30CM
风扇功率 Fan power	216W	风扇电压 Fan voltage	DC12V/DC24V
外翅片散热面积 Exterior cooling area	6.2M <sup>2</sup>	Special voltage & size can be customized	

### Dimensions



### Performance Curves

