

AH Series Plate-Fin Hydraulic Aluminum Oil Coolers

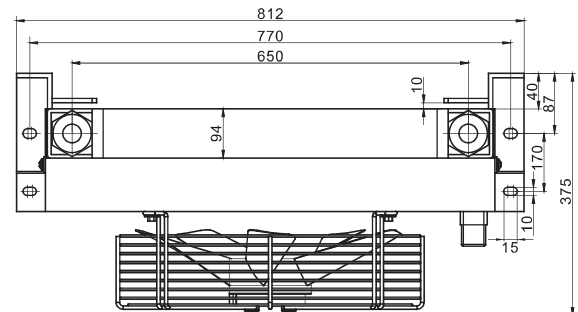
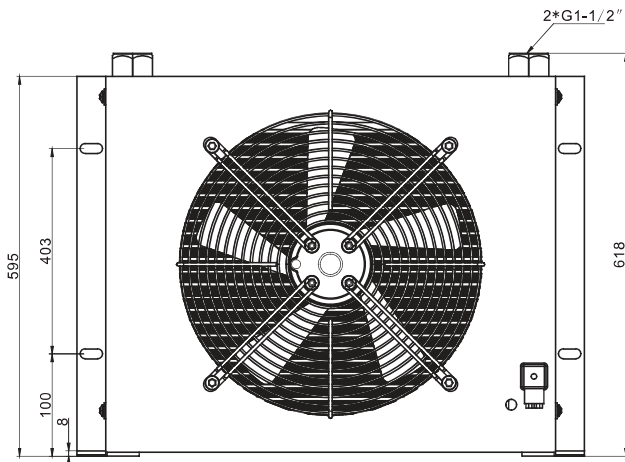
Specifications

AH1680T-CA-300L



型号 Model	AH1680T-CA	冷却能力 Cooling Capacity	19KW
流量 Rate of flow	300L/min	重量 Weight	55KG
工作压力 Working pressure	≤2MPa	包装尺寸 Packing size	85*66*42CM
风扇功率 Fan power	423W/448W	风扇电压 Fan voltage	AC220V-240V/AC380V/DC12V/ DC24V/50HZ
外翅片散热面积 Exterior cooling area	14M ²	Special voltage & size can be customized	

Dimensions



Performance Curves

