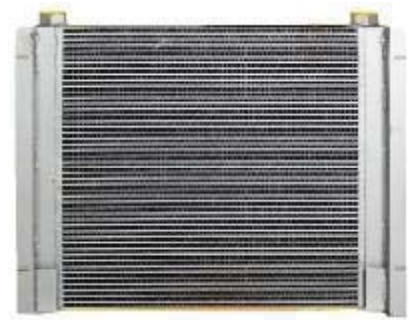


## AH Series Plate-Fin Hydraulic Aluminum Oil Coolers

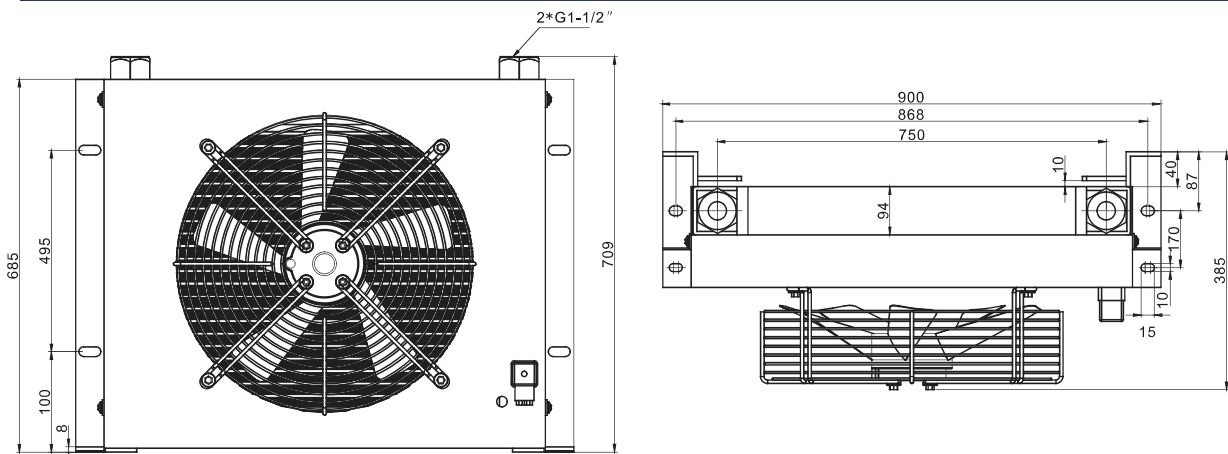
### Specifications

### AH2431T-CA-450L

型号 Model	AH2431T-CA	冷却能力 Cooling Capacity	34KW
流量 Rate of flow	450L/min	重量 Weight	73KG
工作压力 Working pressure	≤2MPa	包装尺寸 Packing size	95*75*43CM
风扇功率 Fan power	836W	风扇电压 Fan voltage	AC380V/50HZ
外翅片散热面积 Exterior cooling area	33.2M <sup>2</sup>	Special voltage & size can be customized	

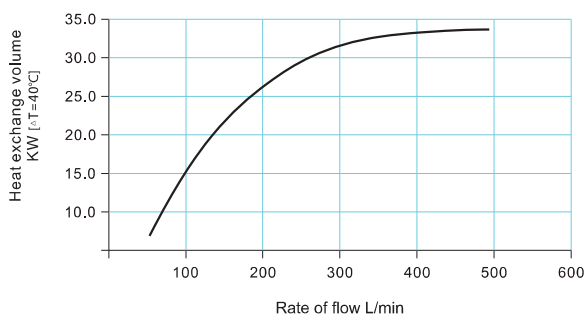


### Dimensions



### Performance Curves

Heat diffusion function



Pressure graph

