

AW Series Plate-Fin Hydraulic Aluminum Oil Coolers

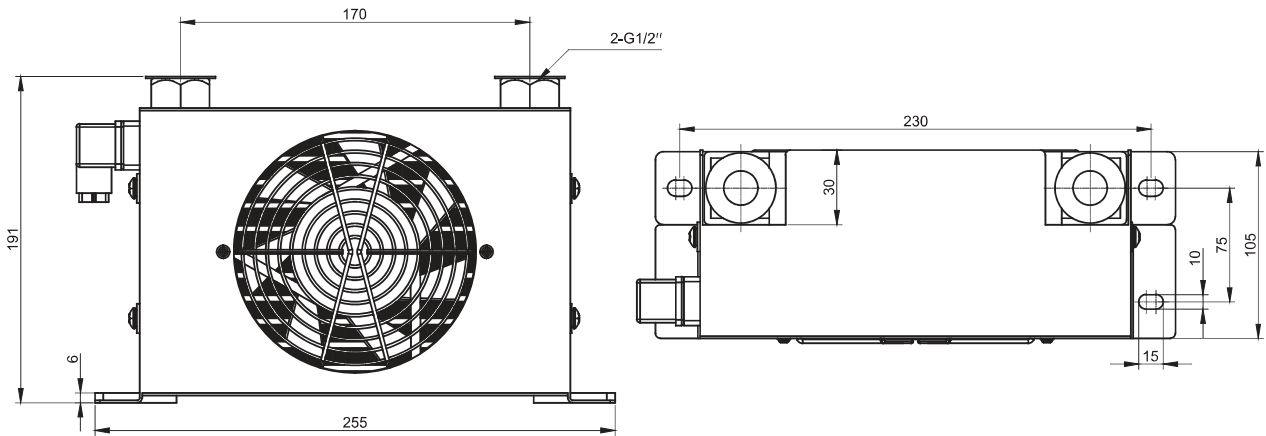
Specifications

AW0607T-CA-20L



型号 Model	AW0607T-CA	冷却能力 Cooling Capacity	1.1KW
流量 Rate of flow	20L/min	重量 Weight	4KG
工作压力 Working pressure	≤2MPa	包装尺寸 Packing size	28*21.5*13CM
风扇功率 Fan power	34W	风扇电压 Fan voltage	AC110V/AC220V-240V/AC380V/ DC12V/DC24V/50HZ
外翅片散热面积 Exterior cooling area	0.8M ²	Special voltage & size can be customized	

Dimensions



Performance Curves

