

AH Series Plate-Fin Hydraulic Aluminum Oil Coolers

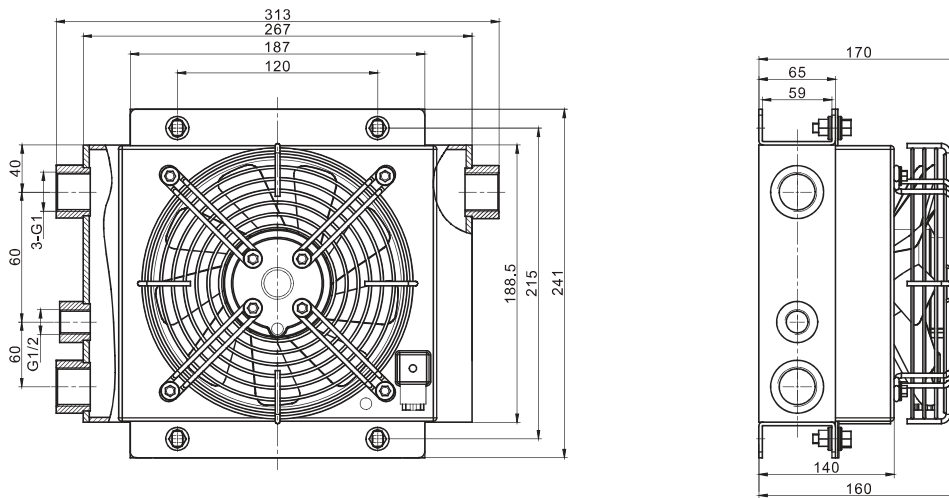
Specifications

ECO-04-80L



型号 Model	ECO-04	冷却能力 Cooling Capacity	3.5KW
流量 Rate of flow	80L/min	重量 Weight	7KG
工作压力 Working pressure	≤2MPa	包装尺寸 Packing size	35*28*19CM
风扇功率 Fan power	100W	风扇电压 Fan voltage	DC12V/DC24V/50HZ Special voltage & size can be customized
外翅片散热面积 Exterior cooling area	1.1M ²		Operational Temperature 50°C (Tolerance ±3°C)

Dimensions



Performance Curves

