

## AH Series Plate-Fin Hydraulic Aluminum Oil Coolers

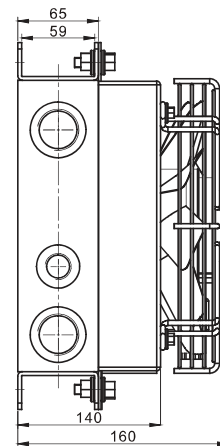
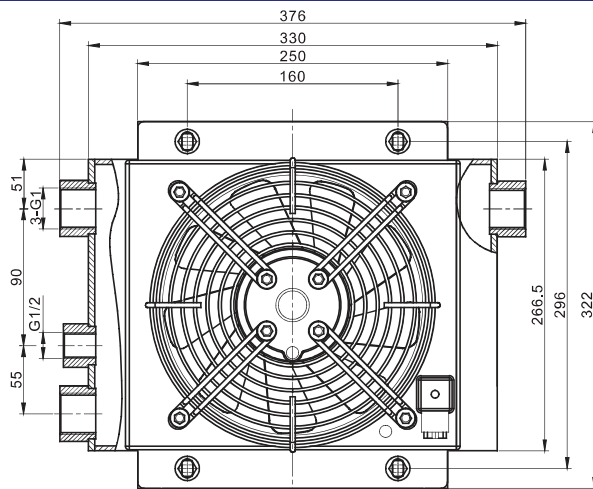
### Specifications

ECO-07-120L

型号 Model	ECO-07	冷却能力 Cooling Capacity	5.5KW
流量 Rate of flow	120L/min	重量 Weight	9KG
工作压力 Working pressure	≤2MPa	包装尺寸 Packing size	40.5*34.5*18.5CM
风扇功率 Fan power	100W	风扇电压 Fan voltage	DC12V/DC24V/50HZ Special voltage & size can be customized
外翅片散热面积 Exterior cooling area	2.2M <sup>2</sup>	温控器 Thermostat	Operational Temperature 50°C (Tolerance ±3°C)

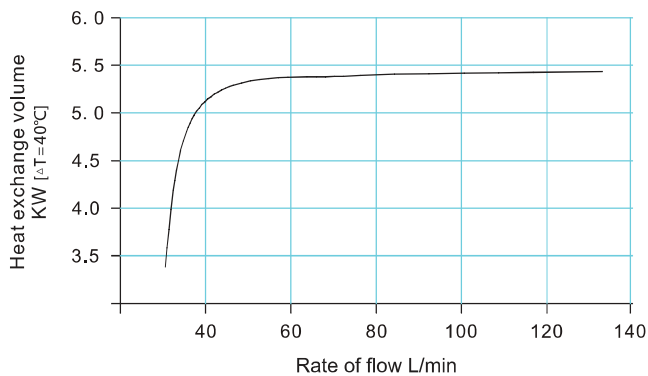


### Dimensions



### Performance Curves

Heat diffusion function



Pressure graph

