

AH Series Plate-Fin Hydraulic Aluminum Oil Coolers

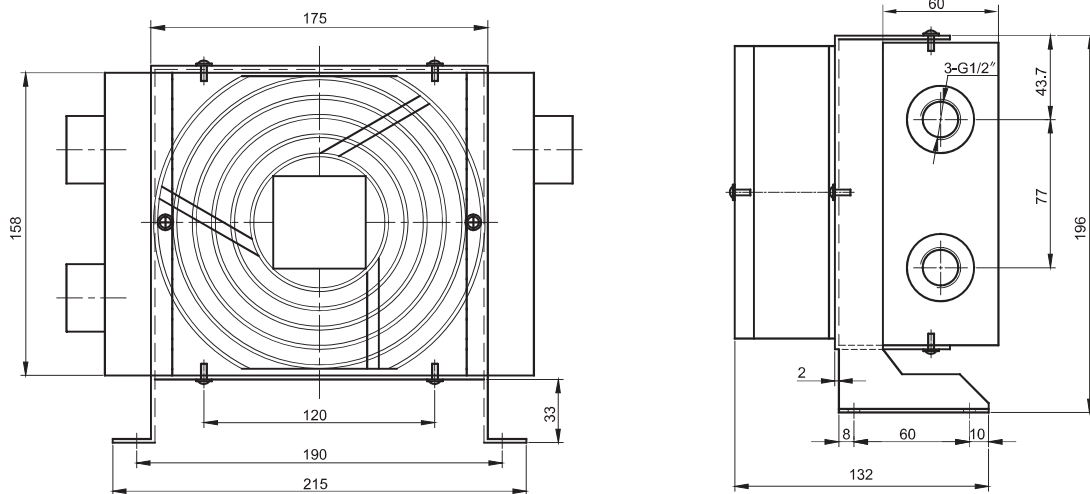
Specifications

FR-02-60L



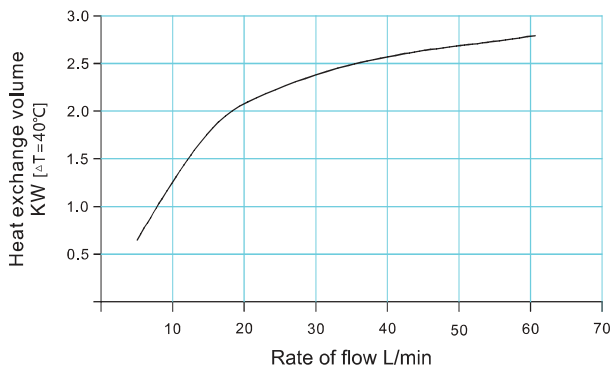
型号 Model	FR-02	冷却能力 Cooling Capacity	2.8KW
流量 Rate of flow	60L/min	重量 Weight	5KG
工作压力 Working pressure	≤2MPa	包装尺寸 Packing size	27.5*21*16.5CM
风扇功率 Fan power	34W	风扇电压 Fan voltage	AC220V-240V/DC12V/DC24V/50HZ Special voltage & size can be customized
外翅片散热面积 Exterior cooling area	0.7M ²	温控器 Thermostat	Operational Temperature 50°C (Tolerance ±3°C)

Dimensions



Performance Curves

Heat diffusion function



Pressure graph

