

## AH Series Plate-Fin Hydraulic Aluminum Oil Coolers

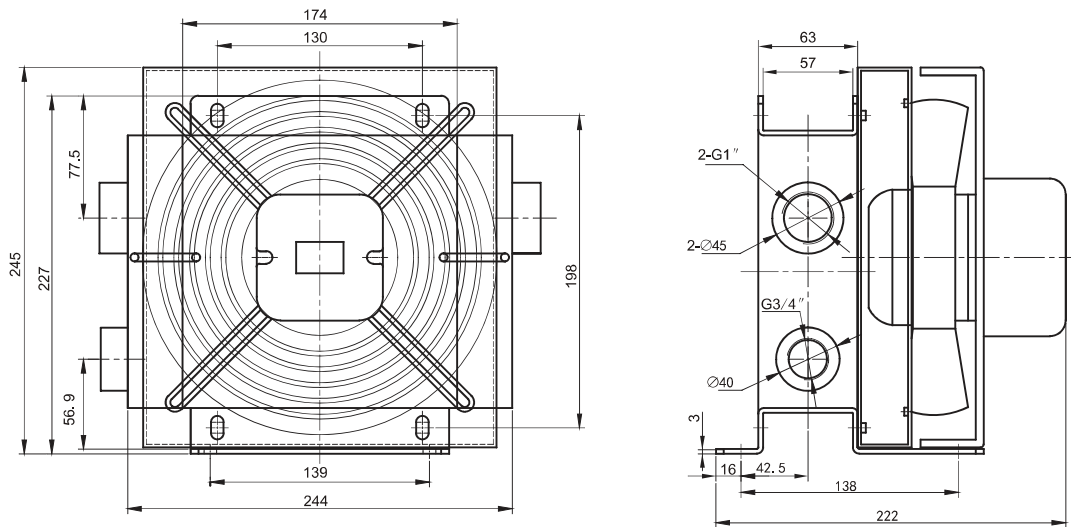
### Specifications

FR-03-80L

型号 Model	FR-03	冷却能力 Cooling Capacity	3.3KW
流量 Rate of flow	80L/min	重量 Weight	7.8KG
工作压力 Working pressure	≤2MPa	包装尺寸 Packing size	34*27*23CM
风扇功率 Fan power	50W	风扇电压 Fan voltage	AC220V-240V/DC12V/DC24V/50HZ Special voltage & size can be customized
外翅片散热面积 Exterior cooling area	0.9M <sup>2</sup>		Operational Temperature 50°C (Tolerance±3°C)

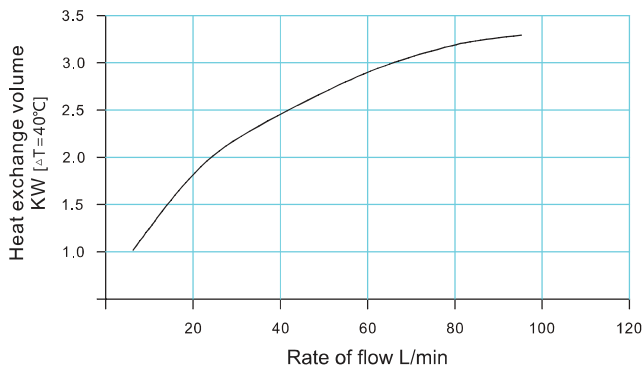


### Dimensions



### Performance Curves

Heat diffusion function



Pressure graph

