

AH Series Plate-Fin Hydraulic Aluminum Oil Coolers

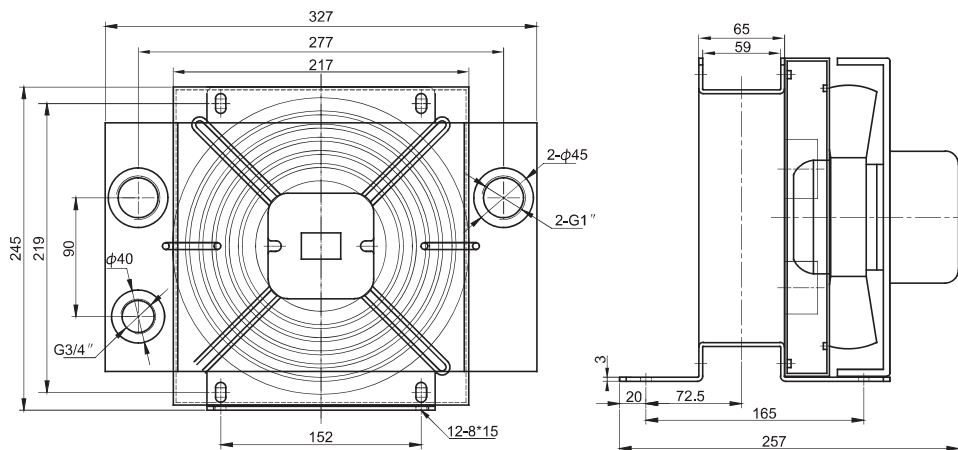
Specifications

FR-05-120L



型号 Model	FR-05	冷却能力 Cooling Capacity	5.7KW
流量 Rate of flow	120L/min	重量 Weight	10KG
工作压力 Working pressure	≤2MPa	包装尺寸 Packing size	37*30*29CM
风扇功率 Fan power	50W	风扇电压 Fan voltage	AC220V-240V/DC12V/DC24V/50HZ Special voltage & size can be customized
外翅片散热面积 Exterior cooling area	1.3M ²	温控器 Thermostat	Operational Temperature 50°C (Tolerance±3°C)

Dimensions



Performance Curves

