

## AH Series Plate-Fin Hydraulic Aluminum Oil Coolers

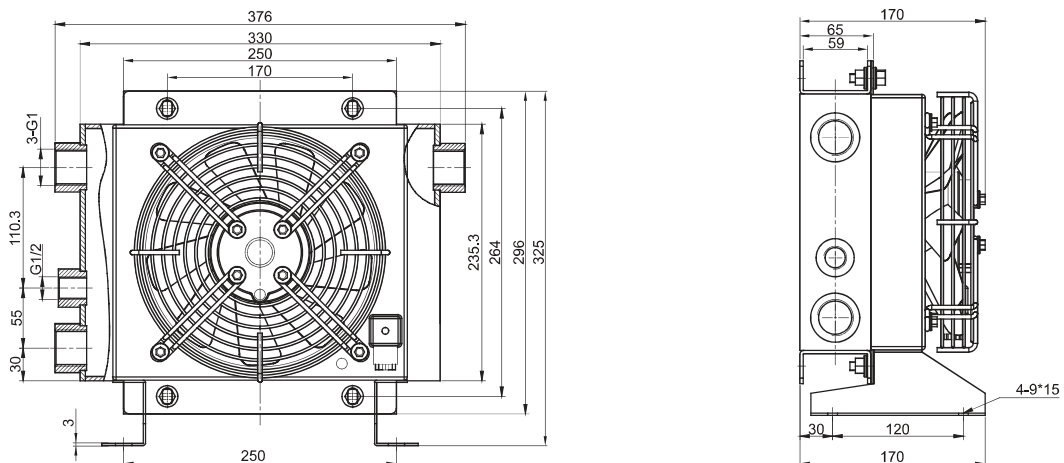
### Specifications

LOC-007-80L



型号 Model	LOC-007	冷却能力 Cooling Capacity	1.45KW
流量 Rate of flow	80L/min	重量 Weight	9KG
工作压力 Working pressure	≤2MPa	包装尺寸 Packing size	42*36*20CM
风扇功率 Fan power	40W	风扇电压 Fan voltage	AC220V-240V/DC12V/DC24V/50Hz Special voltage & size can be customized
外翅片散热面积 Exterior cooling area	1.9M <sup>2</sup>	温控器 Thermostat	Operational Temperature 50°C (Tolerance ±3°C)

### Dimensions



### Performance Curves

Heat diffusion function

Pressure graph

