

AH Series Plate-Fin Hydraulic Aluminum Oil Coolers

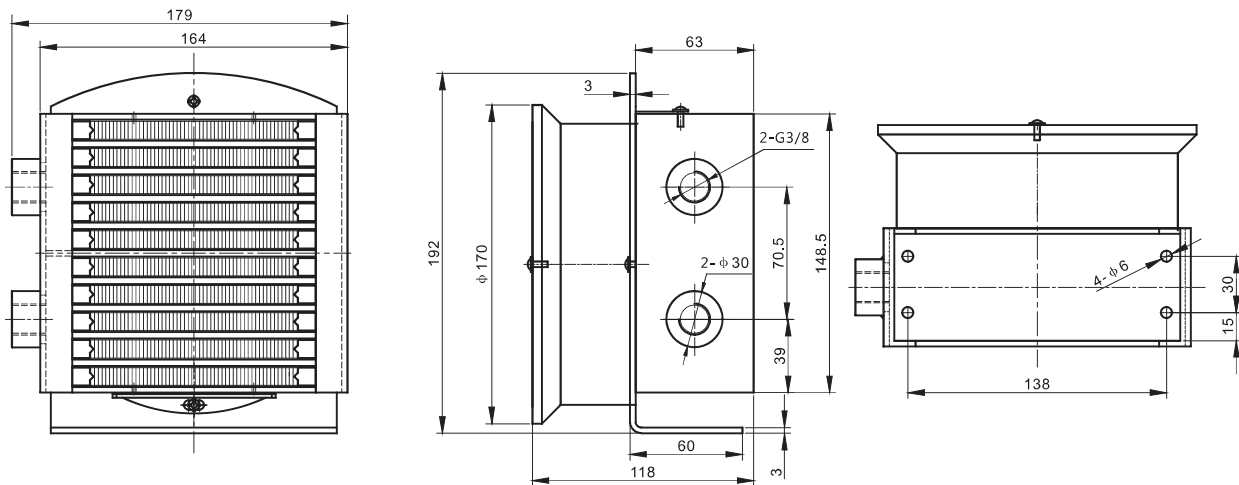
Specifications

SQ1015T-CA-20L

型号 Model	SQ1015T-CA	冷却能力 Cooling Capacity	1.2KW
流量 Rate of flow	20L/min	重量 Weight	3.5KG
工作压力 Working pressure	≤2MPa	包装尺寸 Packing size	21*20.5*15CM
风扇功率 Fan power	34W	风扇电压 Fan voltage	AC110V/AC220V-240V/AC380V/ DC12V/DC24V/50HZ
外翅片散热面积 Exterior cooling area	0.6M ²	Special voltage & size can be customized	



Dimensions



Performance Curves

